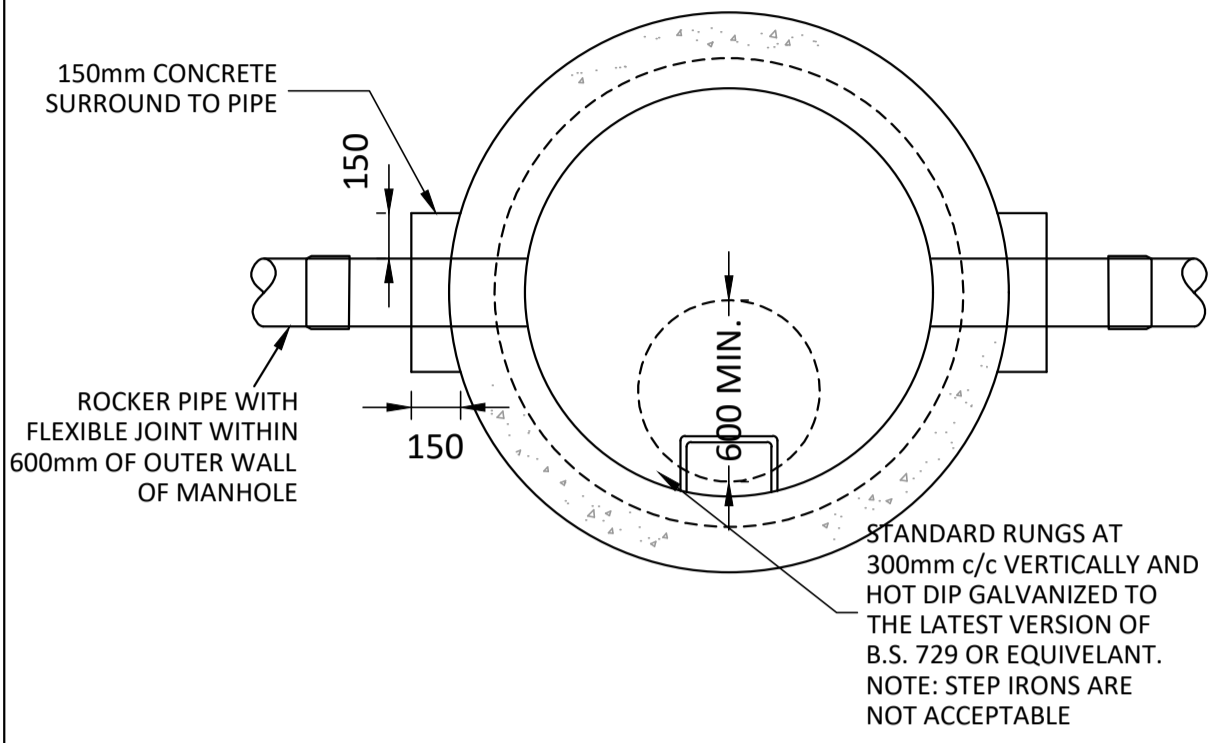
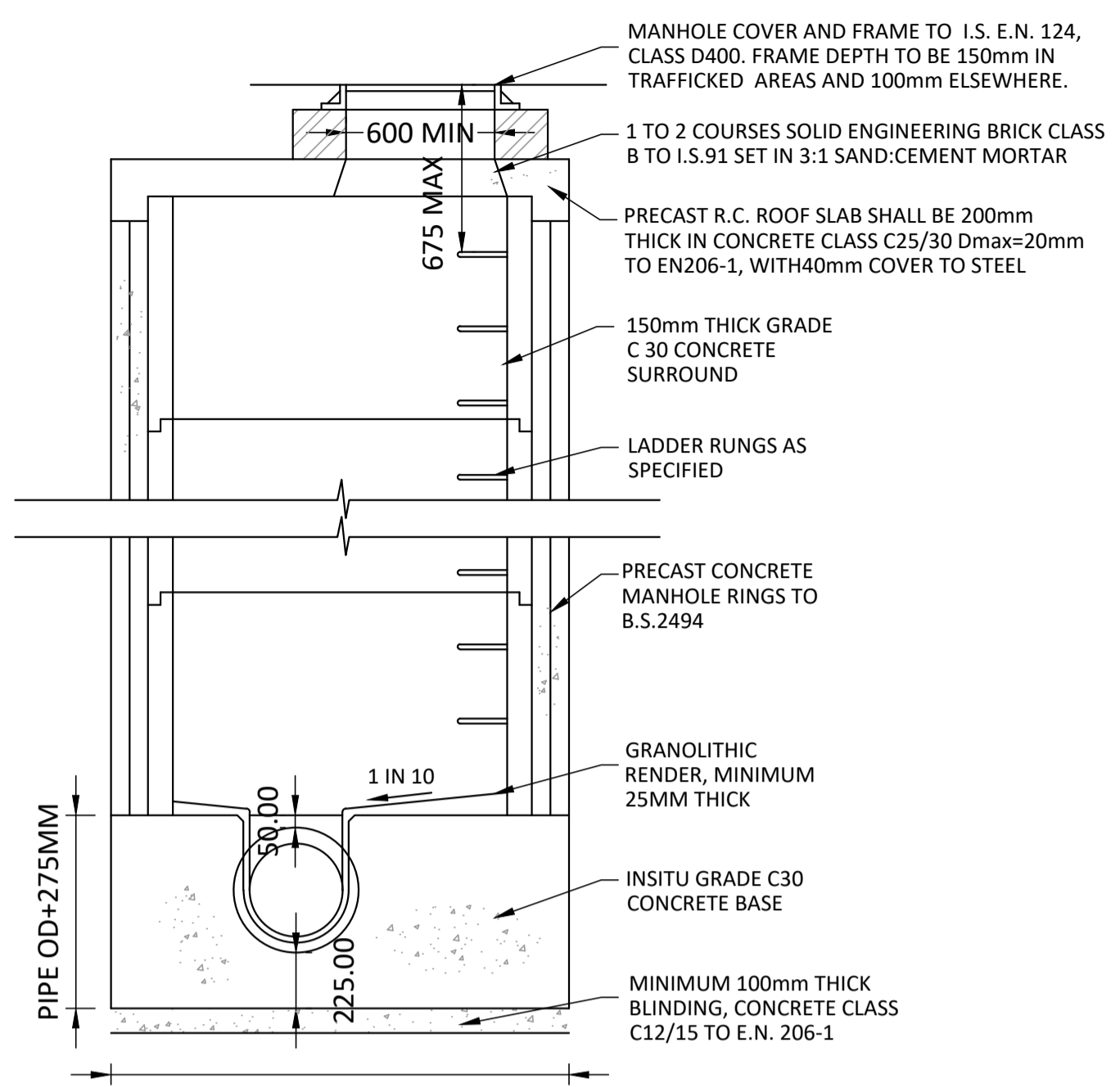


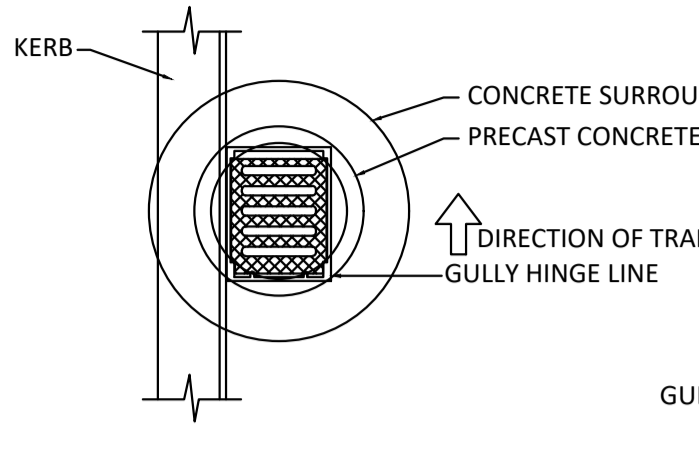
NOTE: ALL MANHOLES IN ROAD TO BE TAKEN IN CHARGE (T.I.C.) AND CAN NOT BE PRE CAST CONCRETE.



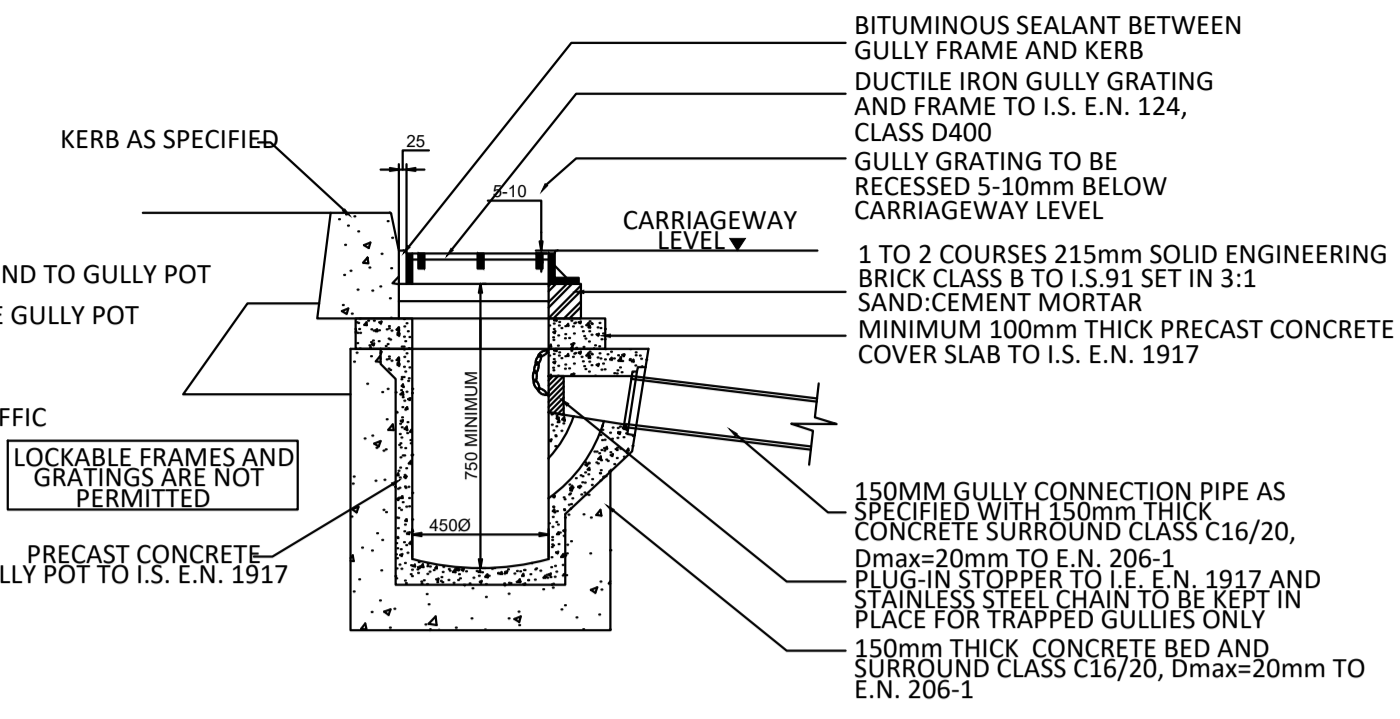
PRECAST MANHOLE PLAN
SCALE = 1:25



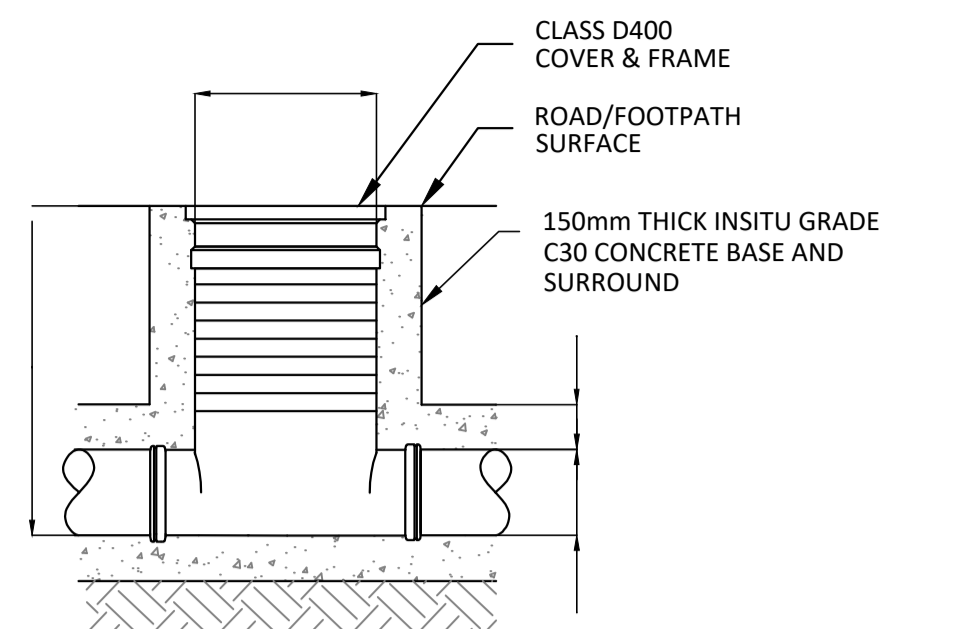
PRECAST MANHOLE
SCALE = 1:25



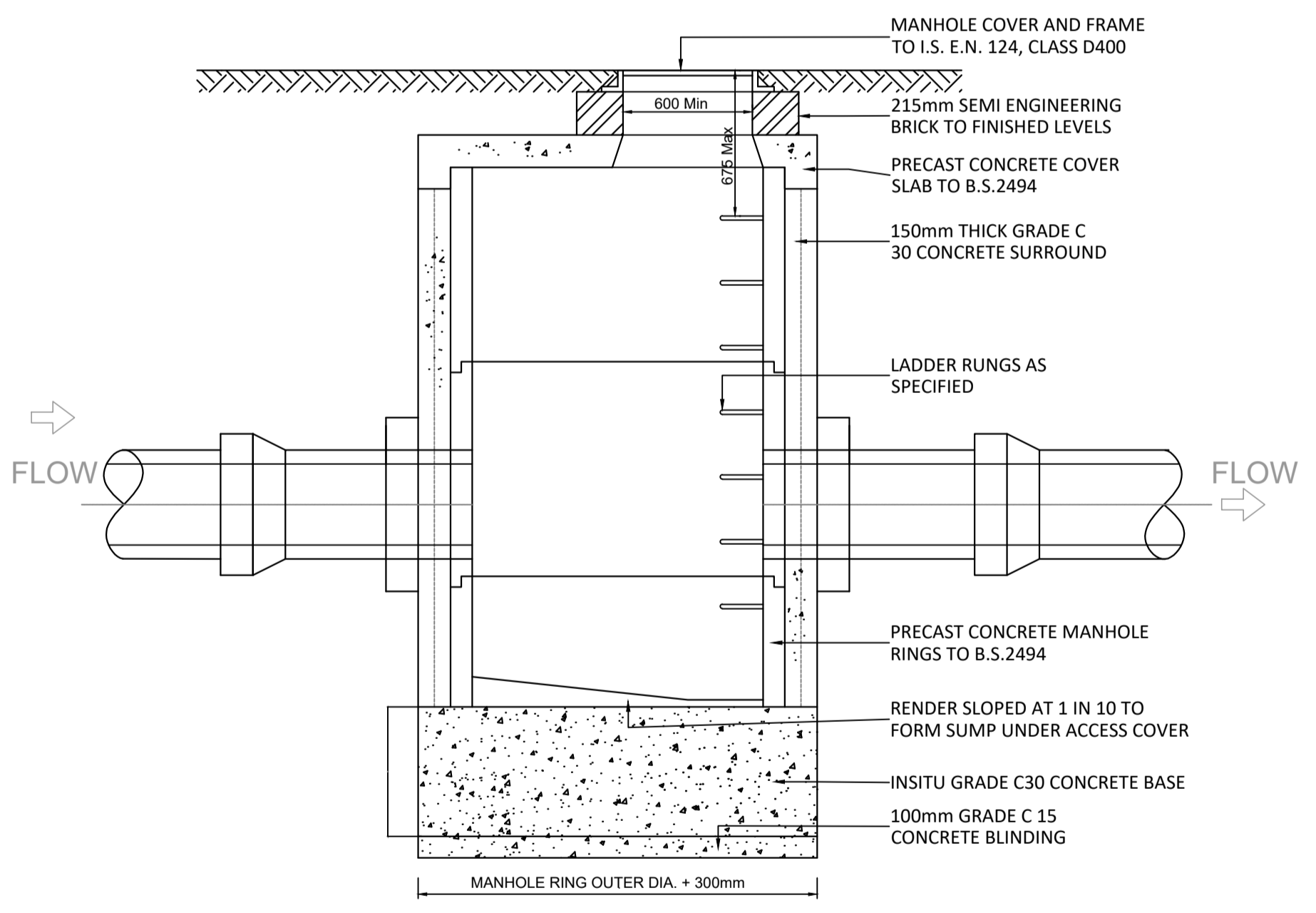
PRECAST CONCRETE ROAD GULLY PLAN
SCALE = 1:25



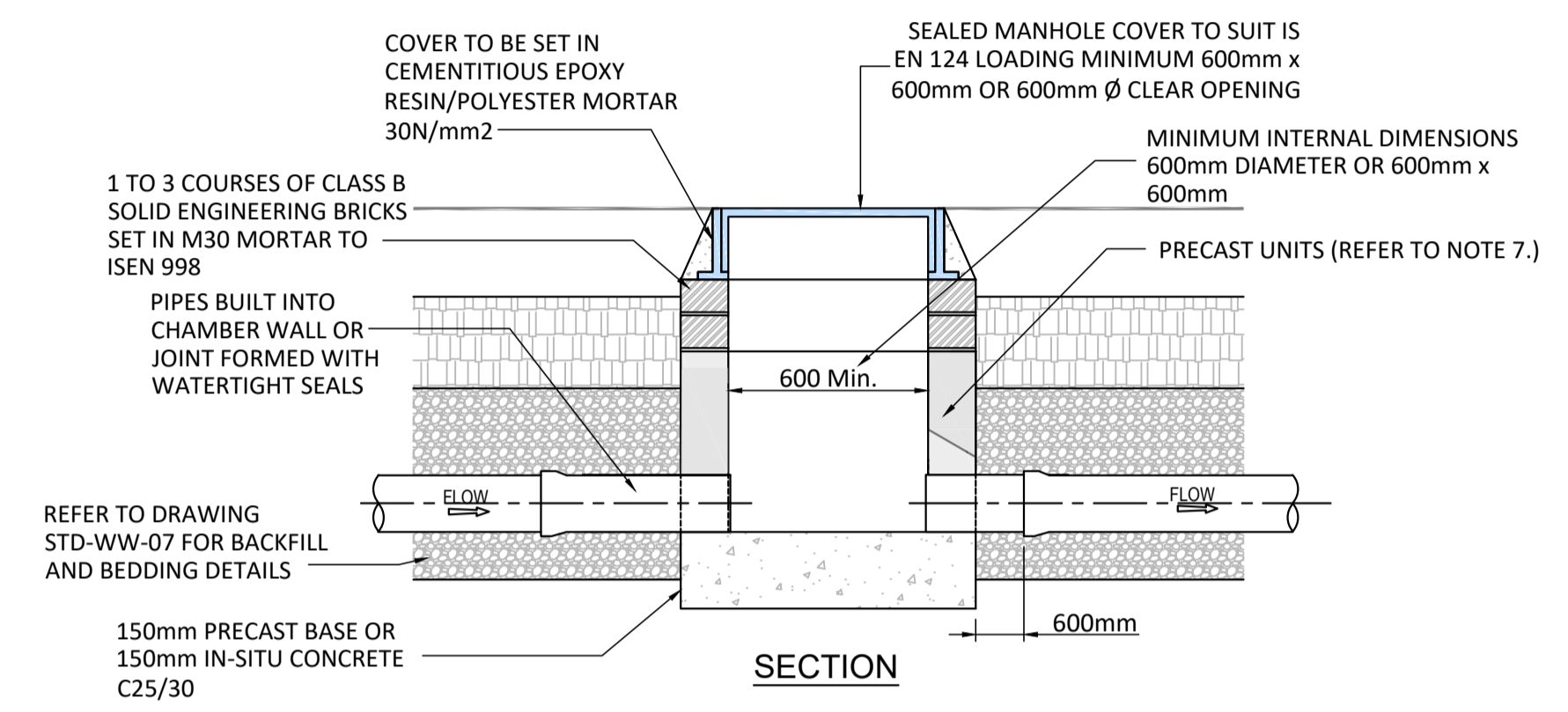
PRECAST CONCRETE ROAD GULLY CROSS SECTION
SCALE = 1:25



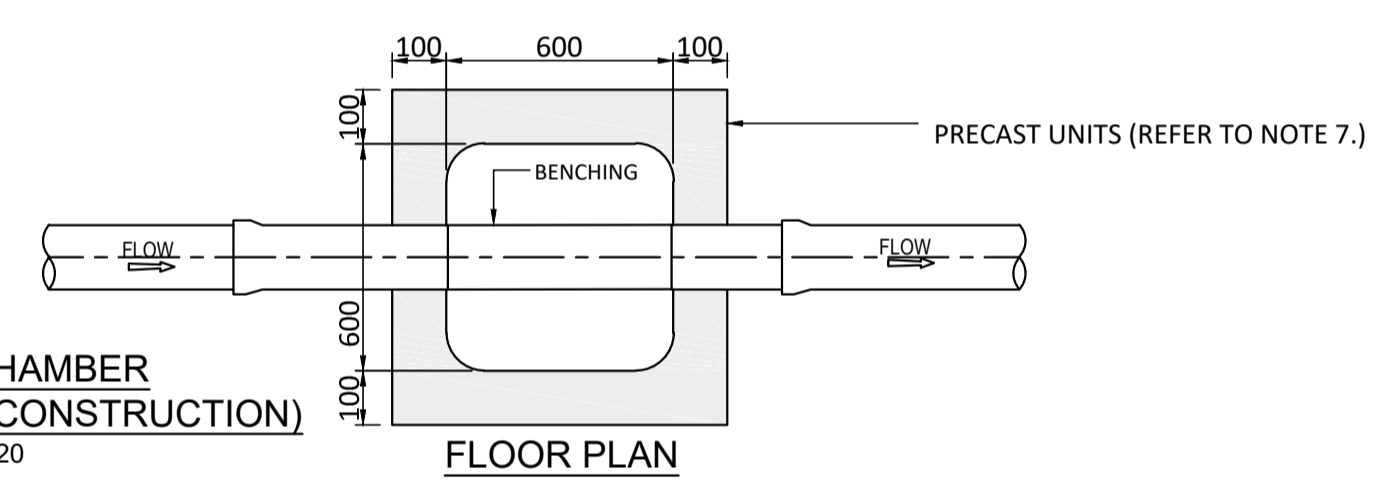
CHAMBER BEDDING DETAIL
SCALE = 1:25



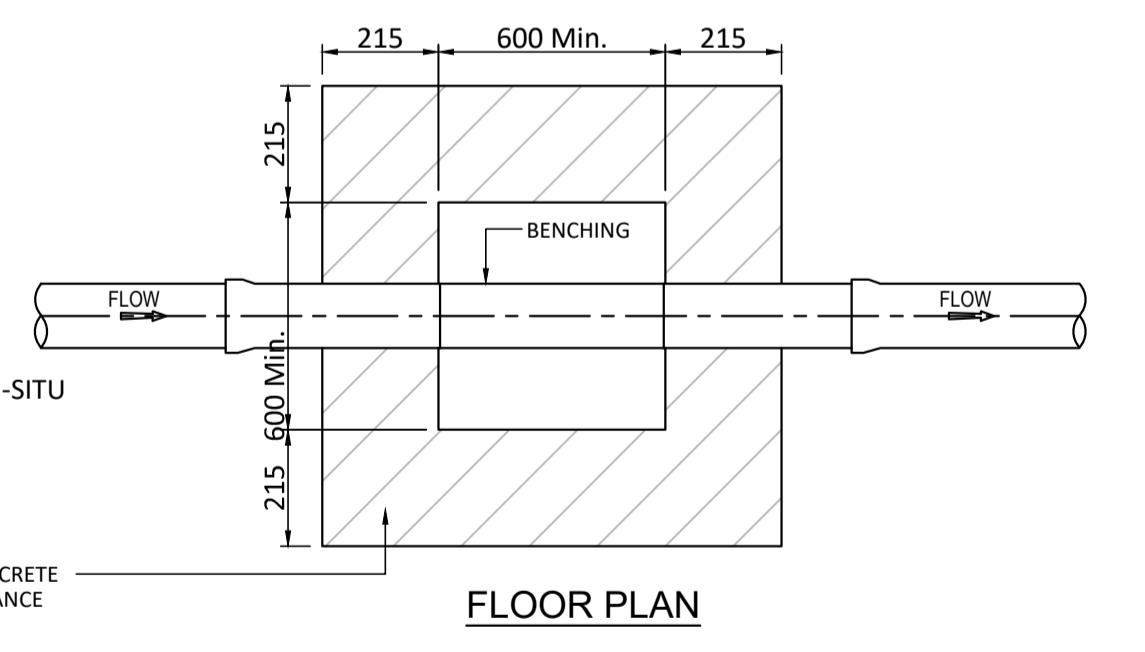
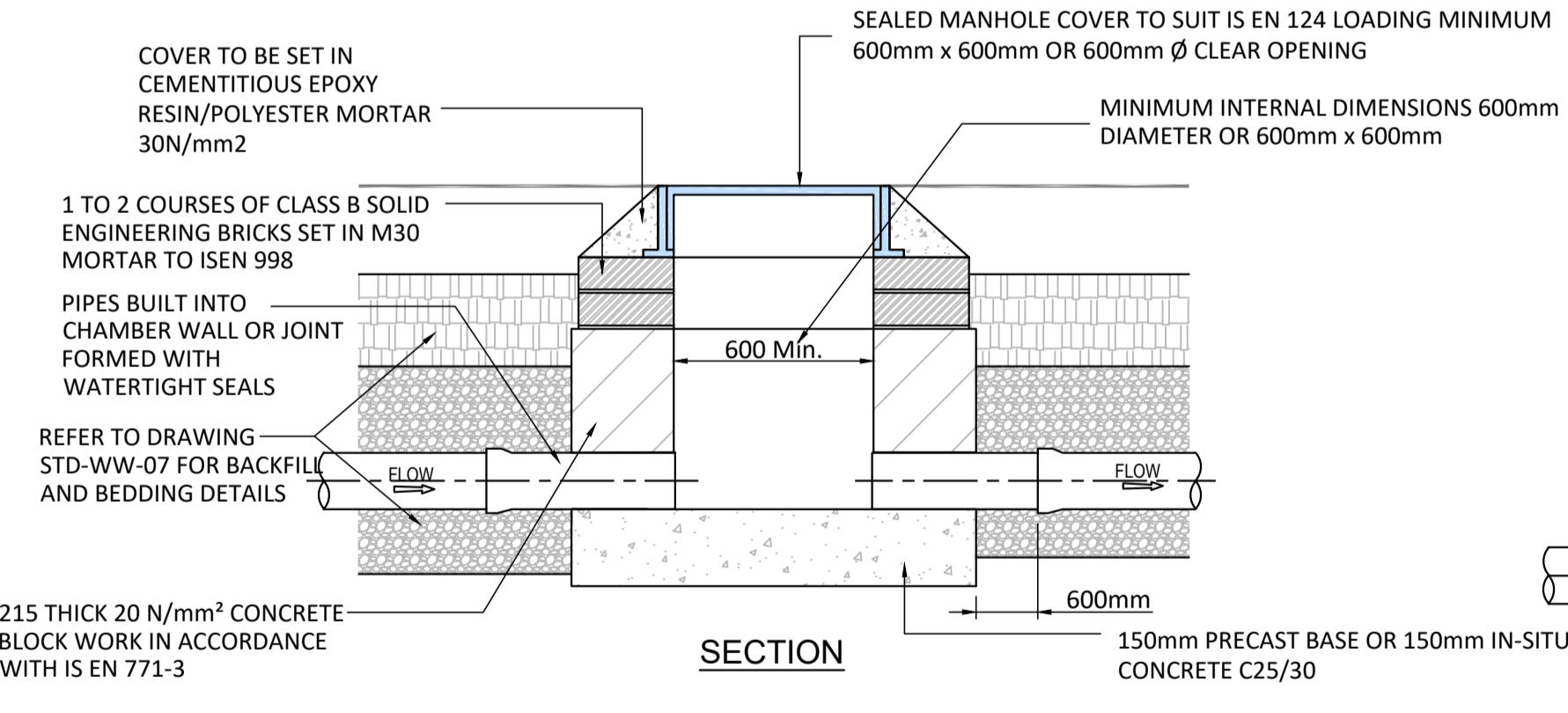
TYPICAL SILT TRAP
SCALE = 1:25



INSPECTION CHAMBER (PRECAST CONCRETE CONSTRUCTION)
SCALE = 1:20



INSPECTION CHAMBER (BLOCK WORK CONSTRUCTION)
SCALE = 1:20



- PRIVATE SIDE INSPECTION CHAMBER NOTES:**
- ALL DIMENSIONS ARE IN MILLIMETRES (mm) UNLESS NOTED OTHERWISE.
 - AN INSPECTION CHAMBER SHOULD BE LOCATED AT OR WITHIN 1m OF THE PROPERTY BOUNDARY AT THE UPSTREAM END OF EACH SERVICE CONNECTION ON THE PRIVATE SIDE OF THE CURTLAGE, IF PRACTICABLE, CONSULT WITH IRISH WATER ON ALTERNATIVE LOCATIONS.
 - SERVICE CONNECTION FROM PUBLIC SEWER TO PROPERTY BOUNDARY IS A PUBLIC ASSET. PIPE UPSTREAM OF THE PROPERTY BOUNDARY IS A PRIVATE DRAIN AND SHOULD BE CONSTRUCTED IN ACCORDANCE WITH THE BUILDING.
 - ACCESS POINTS SHOULD BE LOCATED SO THAT THEY ARE ACCESSIBLE AND APPARENT TO THE MAINTAINER AT ALL TIMES FOR USE. THEY SHOULD AVOID REAR GARDENS OR ENCLOSED LOCATIONS AND SHOULD NEVER BE OVERLAIN WITH SURFACE DRESSING, TOPSOIL, ETC.
 - COVERS AND FRAMES SHALL BE SUITABLE FOR ROAD AND TRAFFIC CONDITIONS SUBJECT TO REVIEW BY IRISH WATER.
 - 200mm ALL AROUND, 100mm DEEP CONCRETE PLINTH AROUND COVERS IN GREEN AREAS.
 - PROPRIETARY PREFABRICATED CHAMBER UNITS MAY ALSO BE USED, SUBJECT TO REVIEW BY IRISH WATER - SEE DETAIL BELOW.
 - CHAMBERS SHALL BE SURROUNDED BY A MINIMUM OF 150mm COMPACTED CLAUSE 804 OR CLAUSE 808 MATERIAL AS PER STD-WW-07. 9 MAXIMUM DEPTH FROM COVER LEVEL TO INVERT OF PIPE = 1.2m. INTERNAL DIMENSIONS GREATER THAN 600 x 600mm OR 600mm Ø REQUIRED WHERE DEPTH EXCEEDS 1.2m - CONSULT WITH IRISH WATER.
 - SMALLER INSPECTION CHAMBERS WITH INTERNAL DIMENSIONS OF . 450mm Ø OR 450 X 450mm MAY BE PERMITTED SUBJECT TO APPROVAL . BY IRISH WATER WHERE CONFINED PHYSICAL CONDITIONS EXIST.
 - PREFABRICATED UNITS SHOULD HAVE WATER TIGHT JOINTS AND SHOULD BE INTERLOCKING TO PREVENT LATERAL MOVEMENT OF INDIVIDUAL SECTIONS OF THE UNIT

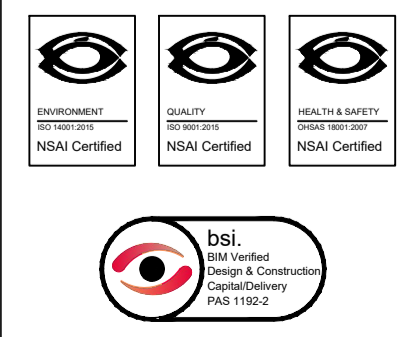
PLANNING DRAWING.
NOT FOR CONSTRUCTION.
ALL LEVELS GIVEN ARE RELATIVE TO ORDENANCE DATUM.
THIS DRAWING HAS BEEN ISSUED FOR INFORMATION PURPOSES ONLY AND MUST NOT BE USED FOR CONSTRUCTION UNDER ANY CIRCUMSTANCES

ORDNANCE SURVEY OF IRELAND LICENCE NO. CYAL50213875 © GOVERNMENT OF IRELAND

- FOR SETTING OUT REFER TO ARCHITECT'S DRAWINGS.
- THIS DRAWING TO BE READ IN CONJUNCTION WITH ALL OTHER ARCHITECTURAL AND ENGINEERING DRAWINGS AND ALL OTHER RELEVANT DRAWINGS AND SPECIFICATIONS.
- DO NOT SCALE THIS DRAWING. USE FIGURED DIMENSIONS ONLY.
- NO PART OF THIS DOCUMENT MAY BE REPRODUCED OR TRANSMITTED IN ANY FORM OR STORED IN ANY RETRIEVAL SYSTEM OF ANY NATURE WITHOUT THE WRITTEN PERMISSION OF O'CONNOR SUTTON CRONIN AS COPYRIGHT HOLDER EXCEPT AS AGREED FOR USE ON THE PROJECT FOR WHICH THE DOCUMENT WAS ORIGINALLY ISSUED.

Rev No.	Date	Revision Note	Drn by	Chkd by
P01	15/09/21	SUITABLE FOR INFORMATION	RM	DR
P02	04/10/21	SUITABLE FOR STAGE APPROVAL	RM	DR
P03	04/05/22	SUITABLE FOR SYAGE APPROVAL	RB	ZB

Rev No.	Date	Revision Note	Drn by	Chkd by



Head Office,
9 Prussia Street,
Dublin 7,
D07 K157

TEL +353 (0)1 8682000

e: contactus@ocsc.ie
www.ocsc.ie

Dublin | London | Belfast | Galway | Cork



Client:	BEO PROPERTIES LIMITED							
Project:	RATOATH SOUTH SHD							
Title:	DRAINAGE DETAILS SHEET 1 OF 3							
Code	Originator	Zone	Level	Type	Role	Number	Status	Revision
L308	OCSC	XX	XX	DR	C	0520	S4	P03
Date:	01.04.20 Scale: SHWN @ A1 Drn by: RM Chkd by: DR Aprvd by: DR							